

DMX512

Decoder Series



CE RoHS

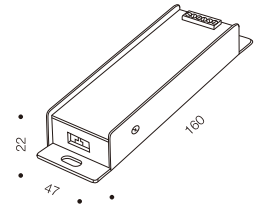
Specifications

Model:	DE8018		
Input:	DC12-24V	Max output Power:	216W(12V)/432W(24V)
Max current Load:	6A*3CH Max 18A	Signal Input:	DMX512/1990
Control channels:	3CH	The light gray level:	256
Protection Grade:	IP20	DMX512/PWM Socket:	RJ45/Screwless terminal
Gross Weight:	220g	Work Temp.:	-30°C~70°C

Basic Features

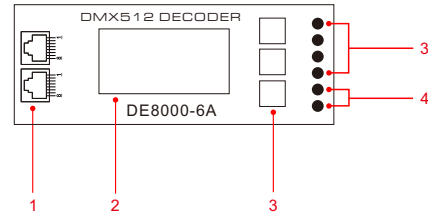
- Meets DMX512/1990, with RJ45 interface.
- 256-levels brightness, full-color with driver controls.
- Can achieve asynchronous color changes effect under working with controller.
- With the light color selected mechanism, and be able to control the light with 1~3 colors.
- Setting the DMX address freely.

Dimensions



Unit: mm

Component Diagram



1. DMX Signal IN/OUT(RJ45)
2. Address Digital Tube
3. LED lamps Connection Socket
4. Power Input Socket
5. Adjust key

Product Operation



Lock key



Up



Down

Nixie tube will enter the locked state after no one uses it for 1 minute.

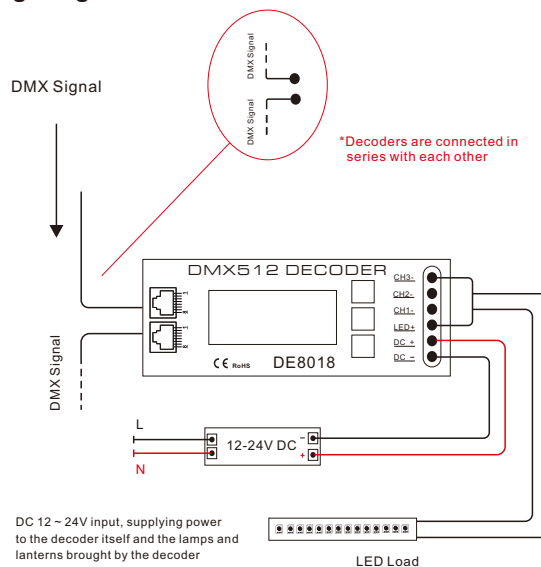
through the digital tube display the address, through the switch control address code, when adjust to the address code of you need, can press lock key and lock the current address code, if in the current state not press the lock key, in 3 seconds the system self-locking address, demand reset address code, first press the unlock key, then set the address code (in the lock key operation, the third paragraph digital tube will show the corresponding instructions), if in 5 minutes didn't any operation with the switch, so digital tube will close, if want to see the show again, then press the unlock key.

Address code Settings

such as the first DE8018, put into 001, the second is set to 004 A DE8018 accounted for three IP address.

There is a self-test program inside. the value is set to the address of 000. RGB is fully lit and output. after 3 seconds, RGB jumps and outputs circularly.

Wiring Diagram



*An amplifier is needed when more than 32 decoders are connected, signal amplification should not be more than 4 times continuously.

*At the end of the wiring, we should connect a DMX signal finalizer (Put ON the switch no.10 of DE8018 dial).

Suitable lamps and lanterns



Wall Washing Lamp



LED Strip



LED Hard Light Bar



Geographic Light



AR111